

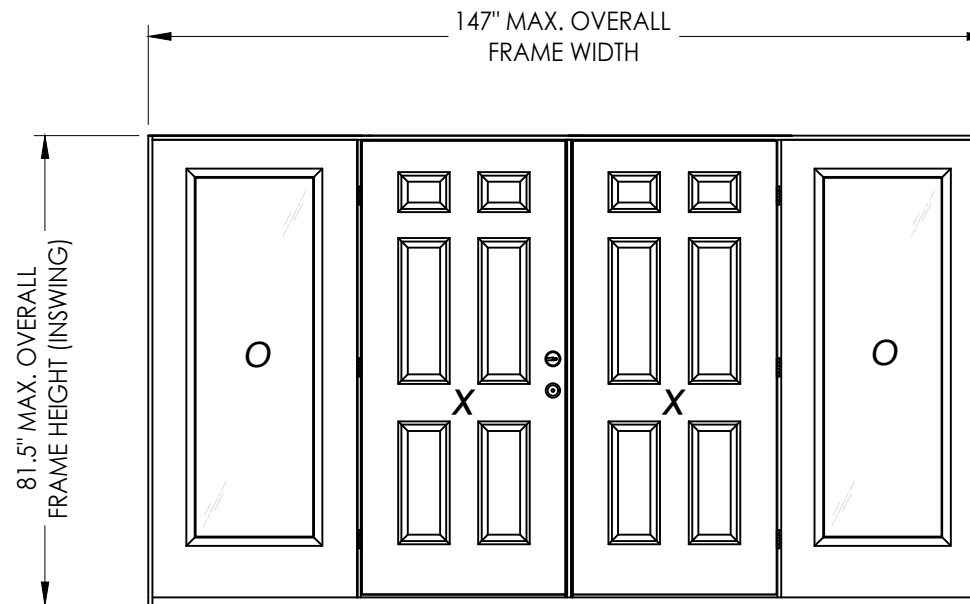
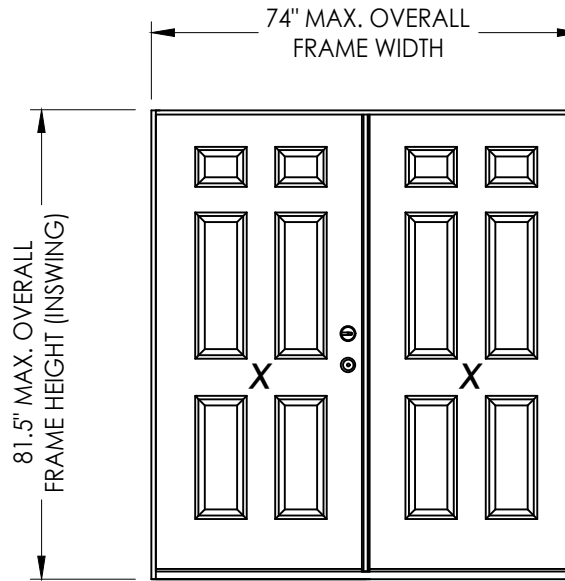


# OPAQUE STEEL ENTRY DOOR DOUBLES w/ or w/out SIDELITES

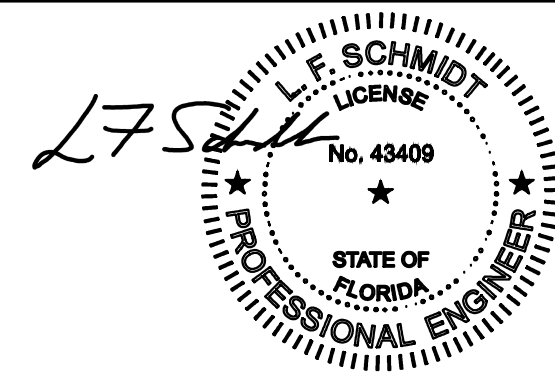
**INSWING  
"NON-IMPACT"**

GENERAL NOTES

1. This product has been evaluated and is in compliance with the 8th Edition (2023) Florida Building Code (FBC) structural requirements excluding the "High Velocity Hurricane Zone" (HVHZ).
2. Product anchors shall be as listed and spaced as shown on details. Anchor embedment to base material shall be beyond wall dressing or stucco.
3. When used in areas requiring wind borne debris protection, this product is required to be protected with an impact resistant covering that complies with FBC Sections 1609.1.2 & R301.2.1.2.
4. For 2x stud framing construction, anchoring of these units shall be the same as that shown for 2x buck masonry construction.
5. Site conditions that deviate from the details of this drawing require further engineering analysis by a licensed engineer or registered architect.



CONFIGURATION	MAX. FRAME DIMENSION	DESIGN PRESSURE (PSF) INSWING	
		POSITIVE	NEGATIVE
XX	74.0" x 81.5"	+50.0	-55.0
OXXO	147.0" x 81.5"	+30.0	-40.0



This item has been digitally signed and sealed by L. F. Schmidt, P.E. on the date adjacent to the seal. Printed copies of this document are not considered signed and sealed and the signature must be verified on any electronic copies.

THIS PRODUCT APPROVAL IS VALID ONLY FOR THE STATE OF FLORIDA

TABLE OF CONTENTS	
SHEET #	DESCRIPTION
1	Typical Elevations, Design Pressures & General Notes
2	Door Panel Details & Glazing Details
3	Sidelite Panel Details
4	Elevations
5	Horizontal & Vertical Cross Sections (2X Buck)
6	Horizontal & Vertical Cross Sections (1X Buck)
7	Horizontal & Vertical Cross Sections (Direct to Masonry)
8	Horizontal Cross Sections
9	Vertical Cross Sections
10	Buck Anchoring
11	Frame Anchoring & Hardware Details
12	Astragal Details
13	Bill of Materials & Components

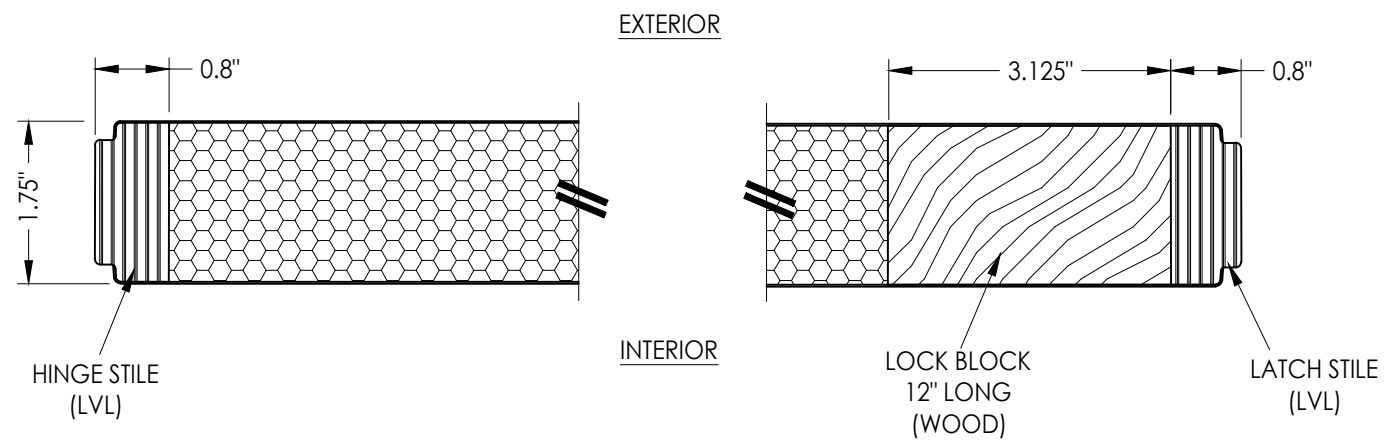
Documents Prepared By:  
Lyndon F. Schmidt  
P.E. No. 43409

*RW*  
BUILDING CONSULTANTS, INC.  
P.O. Box 230, Valrico, FL 33595  
Phone No.: 813.659.9197  
FBPE Registry No. 9813

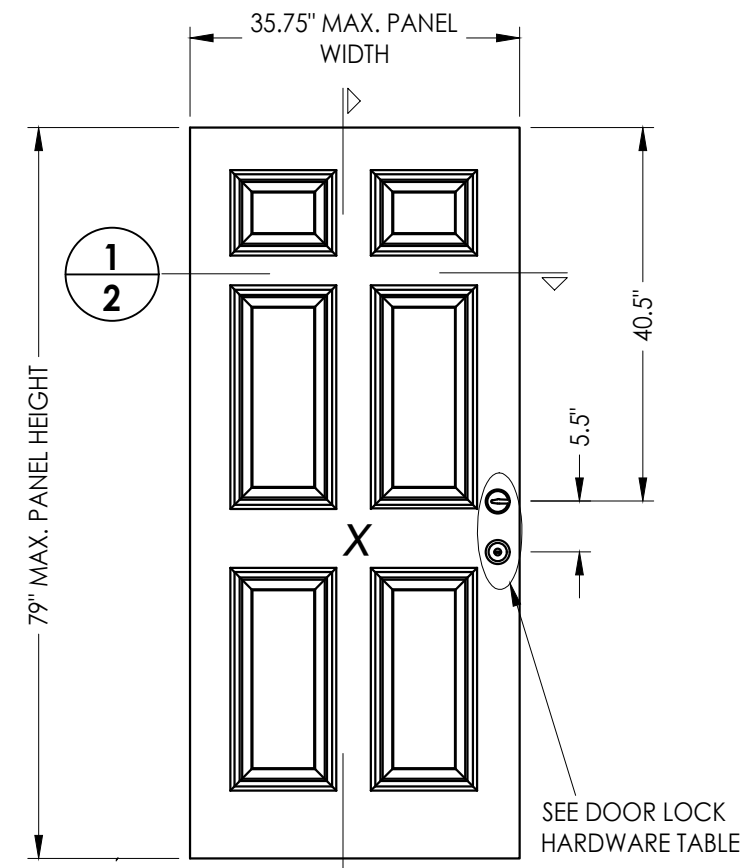
PRODUCT: DOORSCAPES STEEL DOOR  
PART OR ASSEMBLY: TYPICAL ELEVATION, DESIGN PRESSURES & GENERAL NOTES

NO.	DATE	REVISIONS
2	8/01/23	UPDATE TO 8TH ED. (2023) FBC
1	8/06/20	UPDATE TO 7TH ED. (2020) FBC

DATE: 1/21/19  
SCALE: N.T.S.  
DWG. BY: MT  
CHK. BY: LFS  
DRAWING NO.: FL-28832.2  
SHEET 1 OF 13



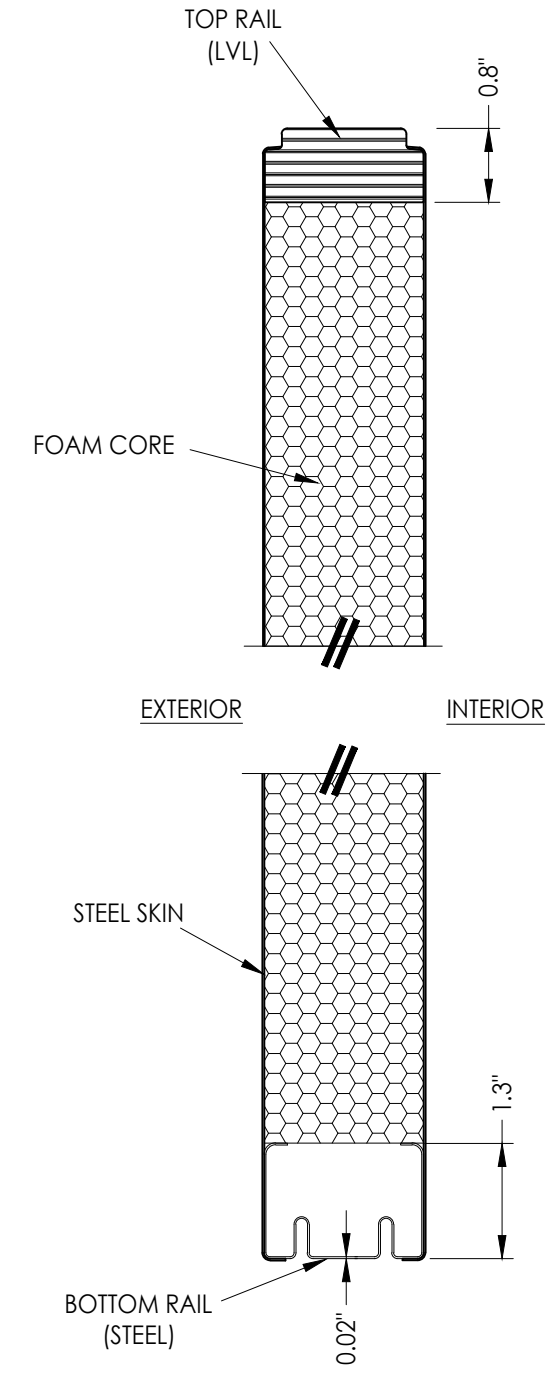
1 HORIZONTAL CROSS SECTION  
2



2  
2  
40 DOOR PANEL  
Doorscapes

STEEL SKIN: 0.020" MIN. THK.  
FOAM CORE: POLYSTYRENE - 2 PCF MIN.

HARDWARE TABLE	
MANUFACTURER	MODEL
YALE	KNOB: YE SERIES (10) DEADBOLT: YE SERIES (82E)



2 VERTICAL CROSS SECTION  
2

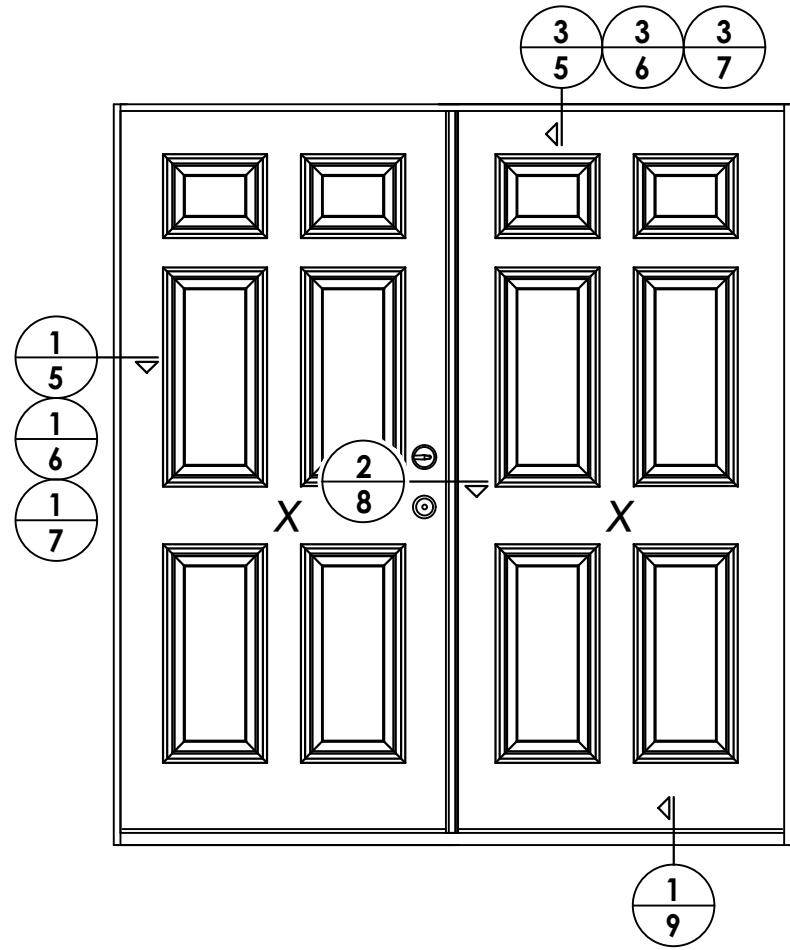
Documents Prepared By:  
Lyndon F. Schmidt  
P.E. No. 43409

**RW** BUILDING CONSULTANTS, INC.  
P.O. Box 230, Valrico, FL 33595  
Phone No.: 813.659.9197  
FBPE Registry No. 9813

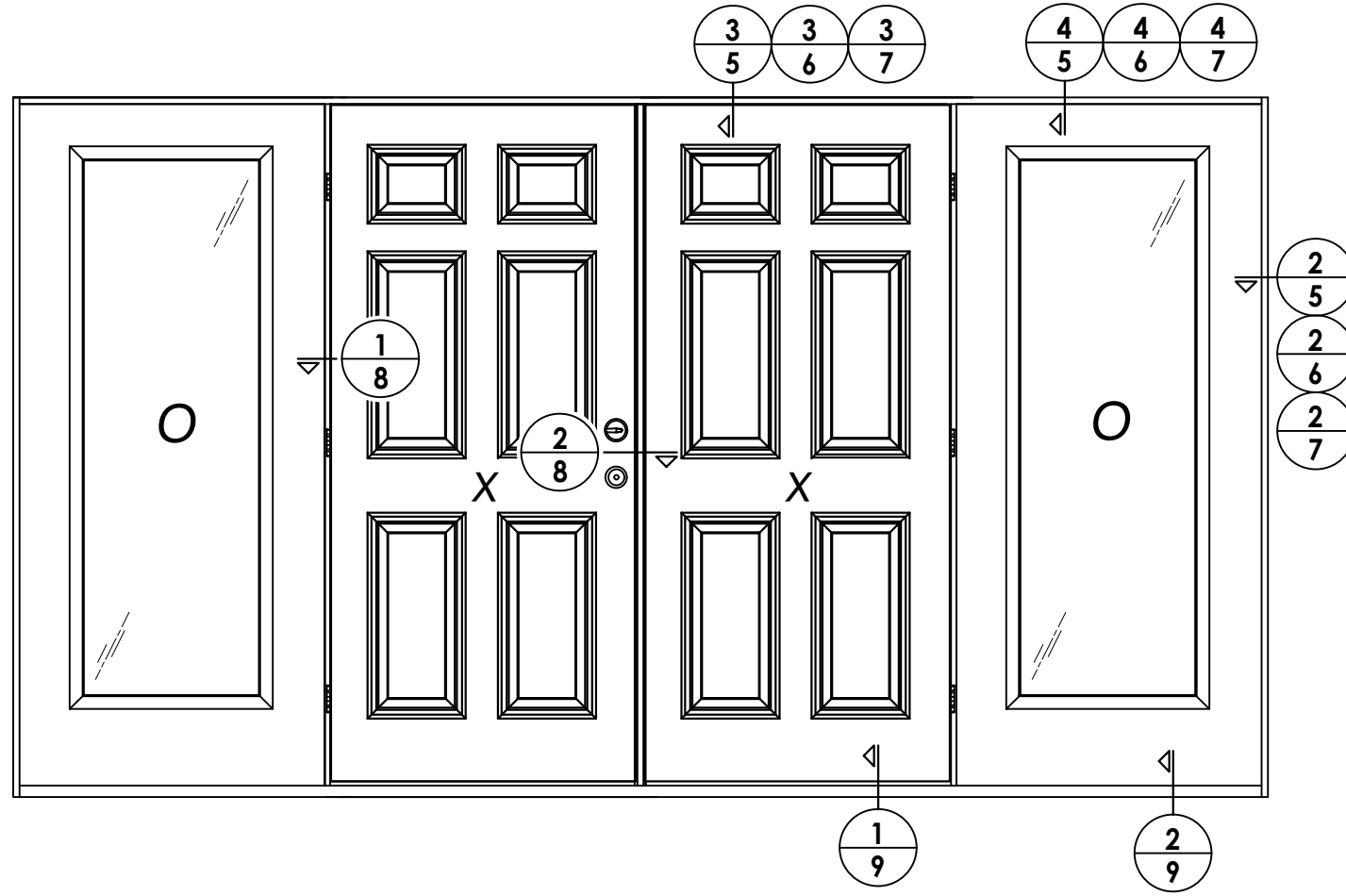
PRODUCT:	DOORSCAPES STEEL DOOR	
PART OR ASSEMBLY:	DOOR PANEL & GLAZING DETAILS	
NO.	DATE	BY
2	8/01/23	LFS
1	8/06/20	LFS
REVISIONS		

DATE:	1/21/19
SCALE:	N.T.S.
DWG. BY:	MT
CHK. BY:	LFS
DRAWING NO.:	FL-28832.2
SHEET	2 OF 13





ELEVATION  
XX



ELEVATION  
OXXO

DATE: 1/21/19  
 SCALE: N.T.S.  
 DWG. BY: MT  
 CHK. BY: LFS  
 DRAWING NO.:  
 FL-28832.2  
 SHEET 4 OF 13

REVISIONS			
NO.	DATE	BY	
2	8/01/23	LFS	UPDATE TO 8TH ED. (2023) FBC
1	8/06/20	LFS	UPDATE TO 7TH ED. (2020) FBC

PRODUCT: DOORSCAPES  
 STEEL DOOR  
 PART OR ASSEMBLY:  
 ELEVATIONS

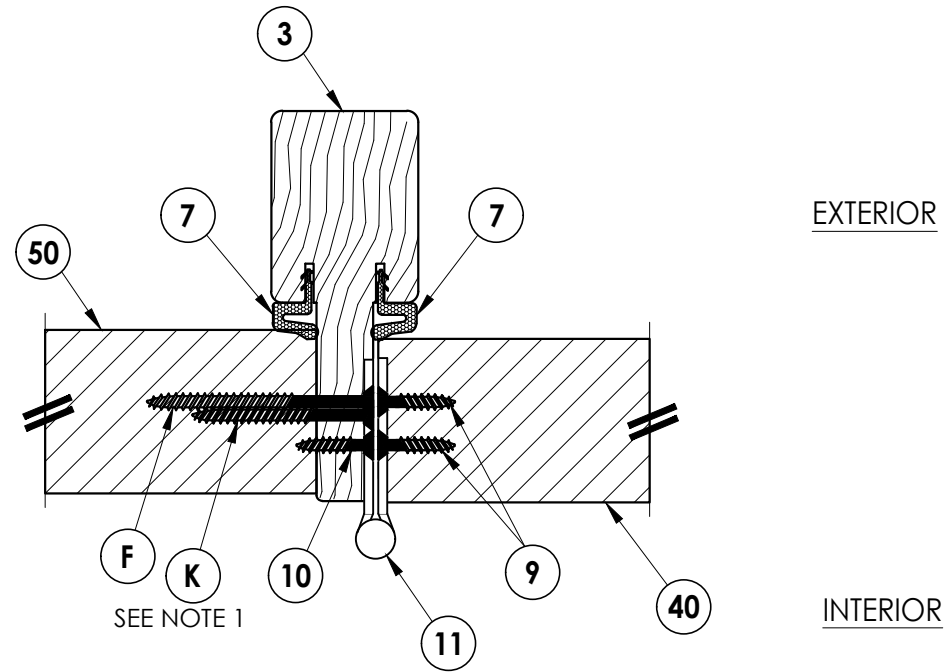
Documents Prepared By:  
 Lyndon F. Schmidt  
 P.E. No. 43409

**RW**  
 BUILDING CONSULTANTS, INC.  
 P.O. Box 230, Valrico, FL 33595  
 Phone No.: 813.659.9197  
 FBPE Registry No. 9813



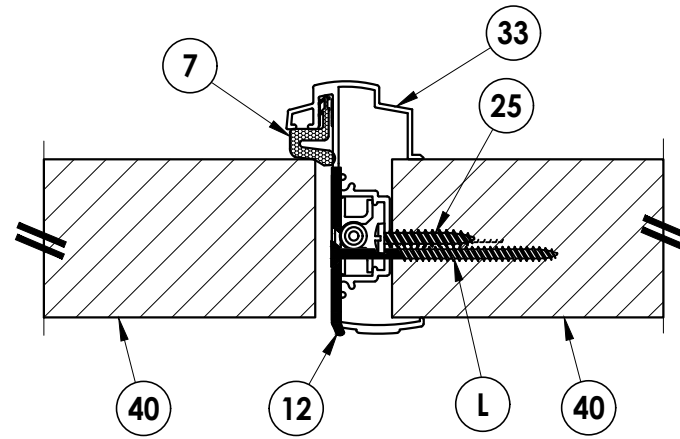






**1** HORIZONTAL CROSS SECTION  
**8** Inswing

SEE NOTE 1



**2** HORIZONTAL CROSS SECTION  
**8** Inswing

NOTE:

1. Sidelite attached w/ 1 screw equally spaced between each hinge (2 screws total per mullion).

DATE: 1/21/19  
 SCALE: N.T.S.  
 DWG. BY: MT  
 CHK. BY: LFS  
 DRAWING NO.: FL-28832.2  
 SHEET 8 OF 13

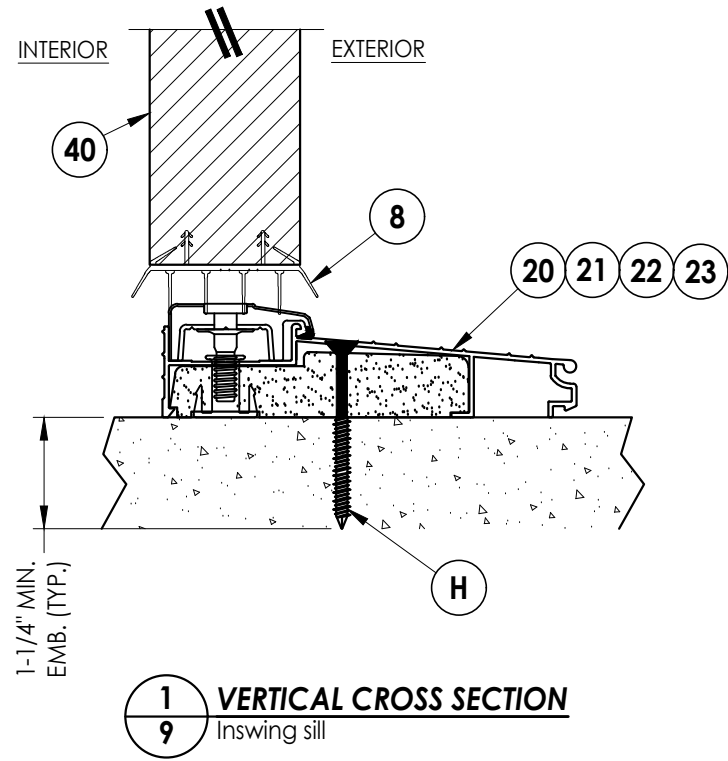
REVISIONS	
NO.	DATE
2	8/01/23
1	8/06/20

PRODUCT:	DOORSCAPES STEEL DOOR
PART OR ASSEMBLY:	HORIZONTAL CROSS SECTIONS

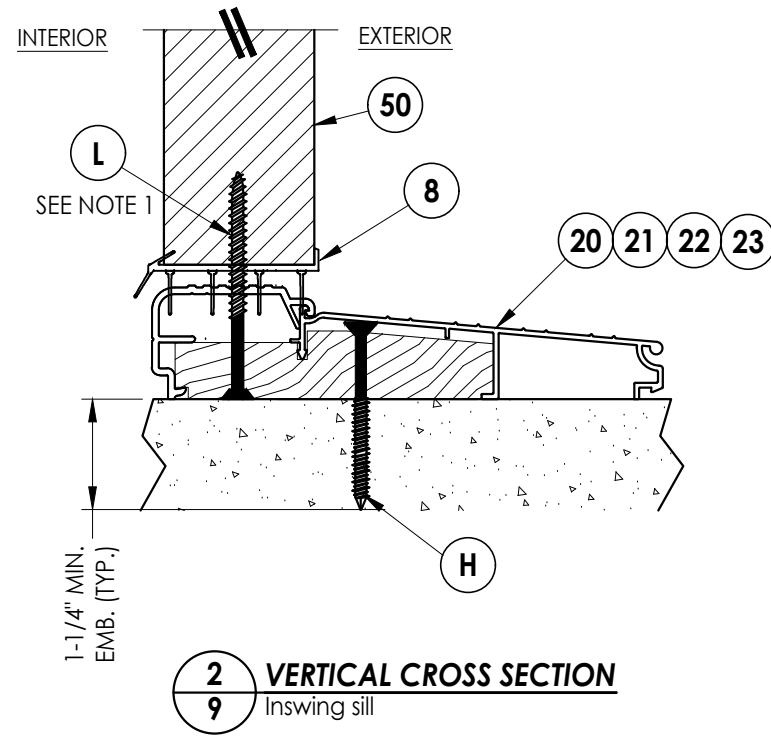
Documents Prepared By:  
 Lyndon F. Schmidt  
 P.E. No. 43409

**RW**  
 BUILDING CONSULTANTS, INC.  
 P.O. Box 230, Valrico, FL 33595  
 Phone No.: 813.659.9197  
 FBPE Registry No. 9813





**1**  
**9** VERTICAL CROSS SECTION  
Inswing sill



**2**  
**9** VERTICAL CROSS SECTION  
Inswing sill

NOTE:  
1. Sidelite attached @ 3" from each end (2 screws total @ sill).

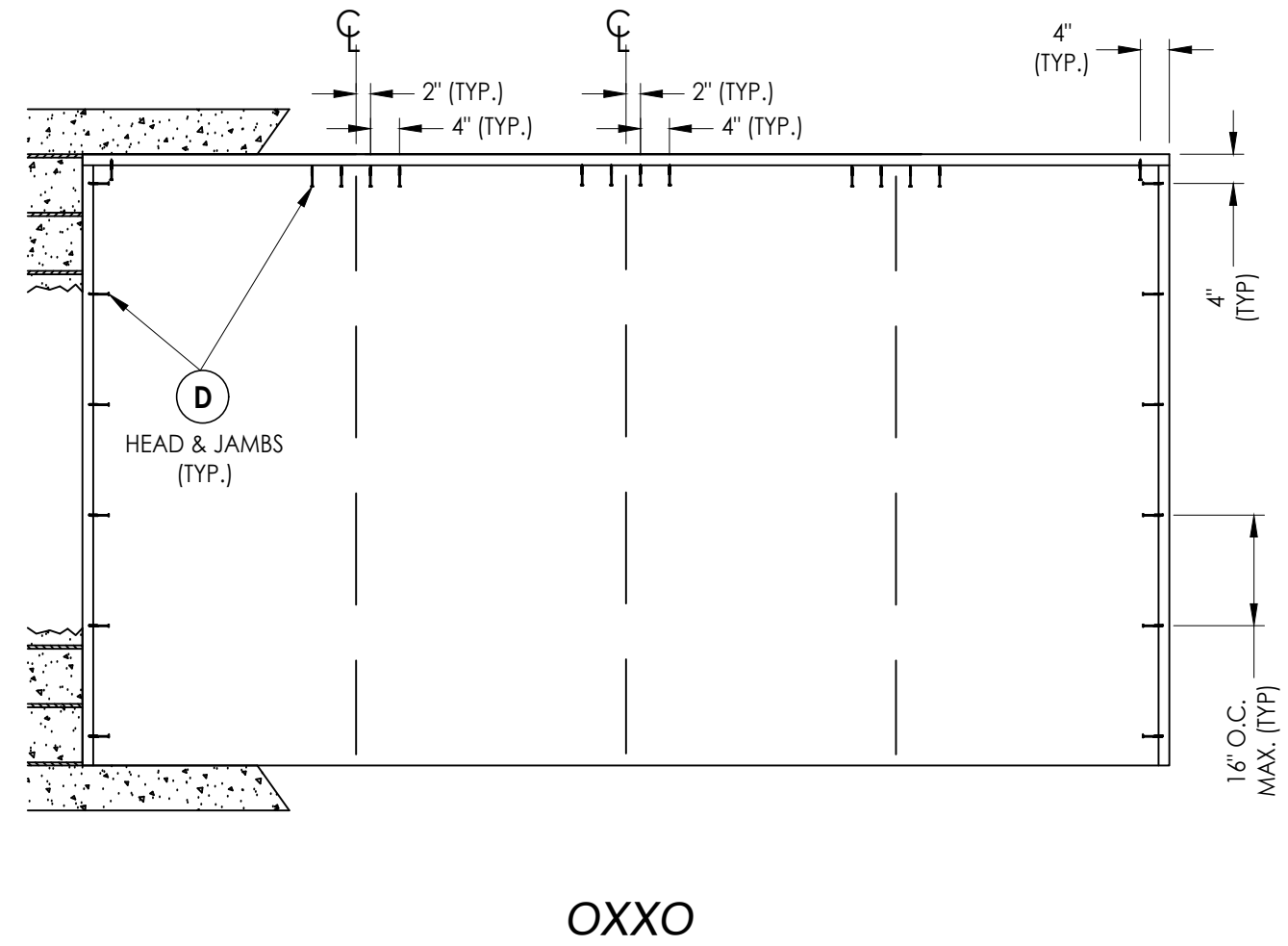
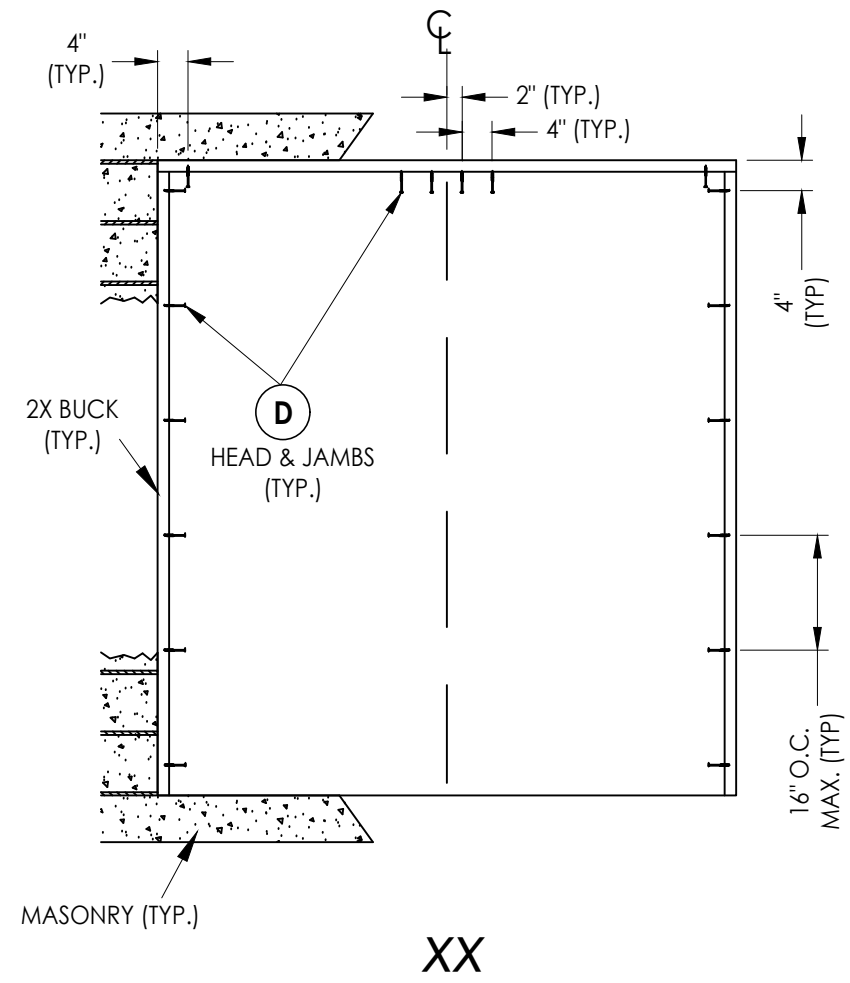
DATE:	1/21/19
SCALE:	N.T.S.
DWG. BY:	MT
CHK. BY:	LFS
DRAWING NO.:	FL-28832.2
SHEET	9 of 13

REVISIONS	
NO.	DATE
2	8/01/23
1	8/06/20

PRODUCT:	DOORSCAPES STEEL DOOR
PART OR ASSEMBLY:	VERTICAL CROSS SECTIONS

Documents Prepared By:  
Lyndon F. Schmidt  
P.E. No. 43409

*RW* BUILDING CONSULTANTS, INC.  
P.O. Box 230, Valrico, FL 33595  
Phone No.: 813.659.9197  
FBPE Registry No. 9813



**2X BUCK ANCHORING**

DATE:	1/21/19
SCALE:	N.T.S.
DWG. BY:	MT
CHK. BY:	LFS
DRAWING NO.:	FL-28832.2
SHEET	10 OF 13

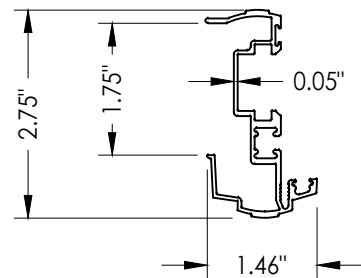
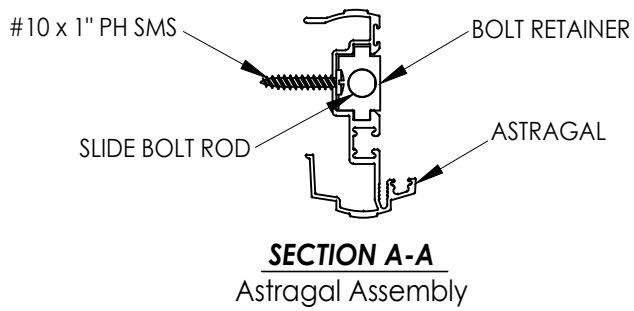
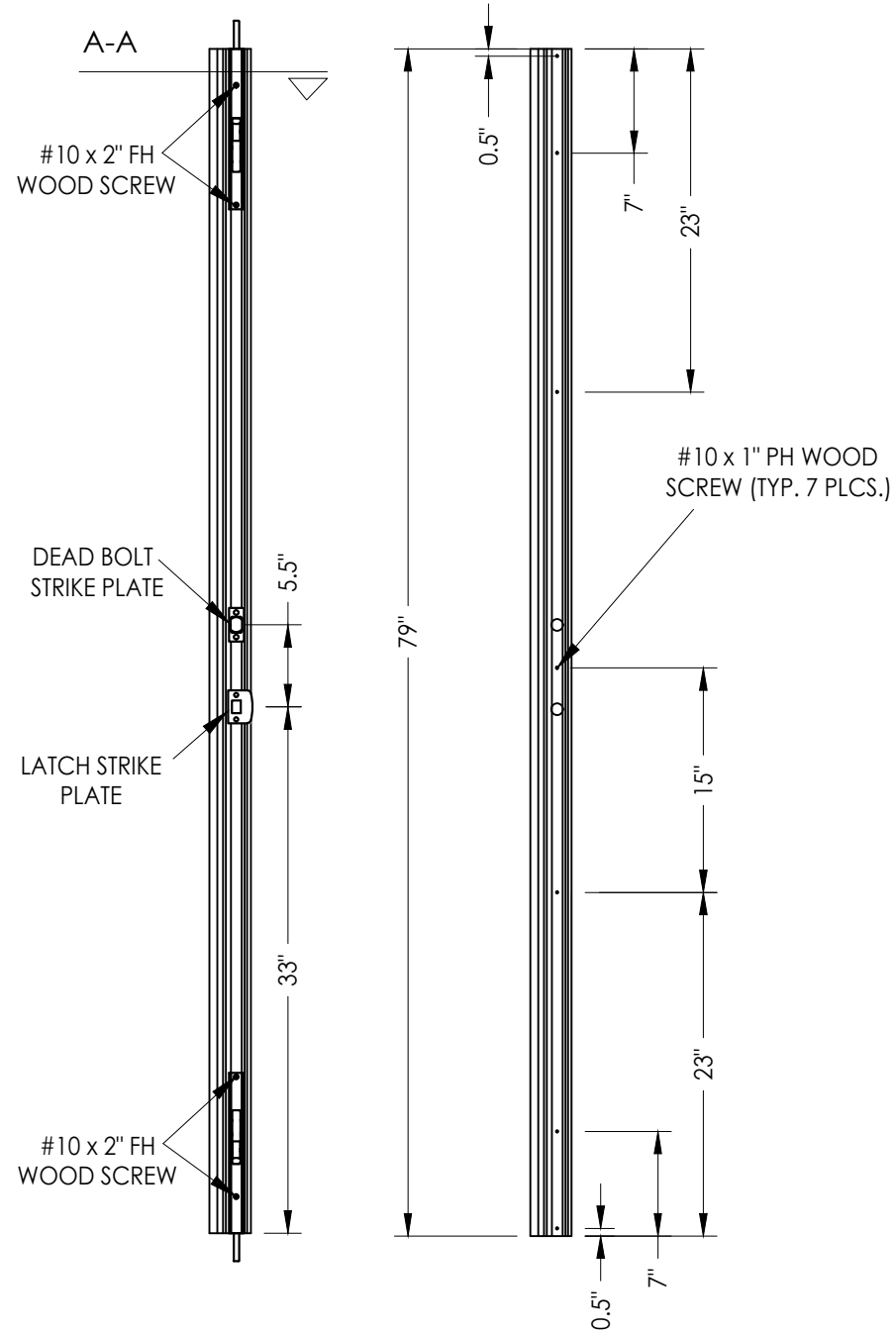
NO.	DATE	REVISIONS
2	8/01/23	UPDATE TO 8TH ED. (2023) FBC LFS
1	8/06/20	UPDATE TO 7TH ED. (2020) FBC LFS

PRODUCT:	DOORSCAPES STEEL DOOR
PART OR ASSEMBLY:	BUCK ANCHORING

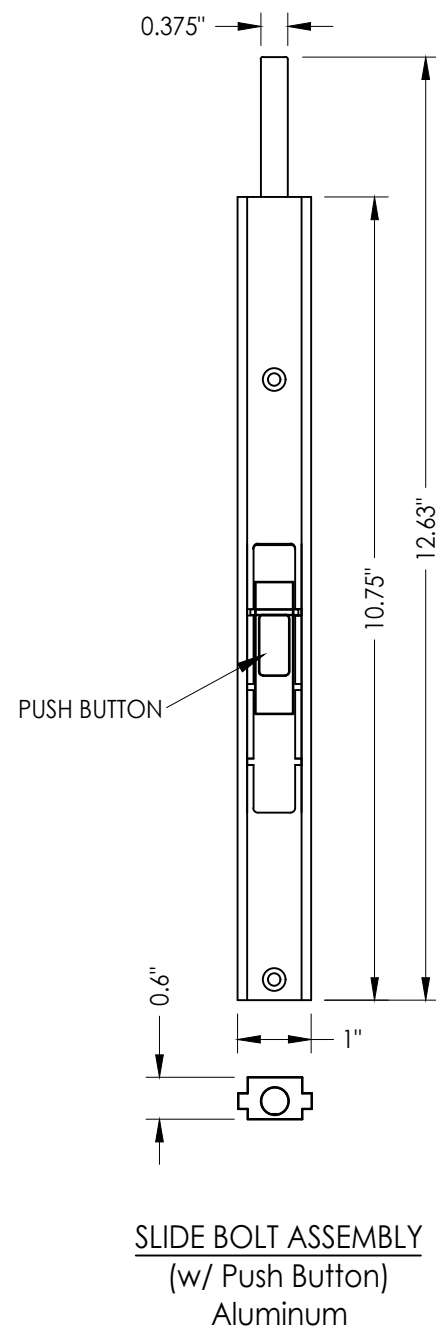
Documents Prepared By:  
Lyndon F. Schmidt  
P.E. No. 43409

*RW* BUILDING CONSULTANTS, INC.  
P.O. Box 230, Valrico, FL 33595  
Phone No.: 813.659.9197  
FBPE Registry No. 9813





**33** **HURRICANE "T" ASTRAGAL by AFCO**  
 Aluminum



Documents Prepared By:  
 Lyndon F. Schmidt  
 P.E. No. 43409

**RW**  
 BUILDING CONSULTANTS, INC.  
 P.O. Box 230, Valrico, FL 33595  
 Phone No.: 813.659.9197  
 FBPE Registry No. 9813

PRODUCT: DOORSCAPES STEEL DOOR  
 PART OR ASSEMBLY: BUCK ANCHORING

NO.	DATE	REVISIONS
2	8/01/23	UPDATE TO 8TH ED. (2023) FBC LFS
1	8/06/20	UPDATE TO 7TH ED. (2020) FBC LFS

DATE: 1/21/19

SCALE: N.T.S.

DWG. BY: MT

CHK. BY: LFS

DRAWING NO.:

FL-28832.2

SHEET 12 OF 13

Z:\2023 FBC Drawings\DoorScapes, Inc\FL-28832 R3 Steel Door\FL28832.1-2.dwg

**BILL OF MATERIALS**

ITEM #	DESCRIPTION	MATERIAL
A	1X BUCK (G >= 0.42)	WOOD
B	2X BUCK (G >= 0.42)	WOOD
C	1/4" MAX. SHIM SPACE	-
D	1/4" X 2-3/4" PFH DeWALT OR ITW CONCRETE SCREW	STEEL
E	MASONRY - 3,000 PSI MIN. CONCRETE CONFORMING TO ACI 301 OR HOLLOW BLOCK CONFORMING TO ASTM C90	CONCRETE
F	#10 X 2-1/2" PFH WOOD SCREW (1.15" MIN. EMBEDMENT)	STEEL
G	3/16" X 3-1/4" PFH ITW CONCRETE SCREW	STEEL
H	1/4" X 2-1/4" PFH DeWALT OR ITW CONCRETE SCREW	STEEL
J	1/4" X 3-3/4" PFH DeWALT OR ITW CONCRETE SCREW	STEEL
K	#10 X 2" PFH WOOD SCREW	STEEL
L	#8 X 2-1/2" PFH WOOD SCREW	STEEL
M	3/16" X 2-1/4" PFH ITW CONCRETE SCREW	STEEL
P	#7 X 2-1/2" DRYWALL SCREW	STEEL
1	FINGER JOINT PINE JAMB (G >= 0.42)	WOOD
3	INTEGRAL MULLION (PINE, G >= 0.42)	WOOD
7	WEATHERSTRIP	FOAM
8	DOOR/SIDELITE BOTTOM SWEEP	VINYL
9	#9 X 1" PFH WOOD SCREW	STEEL
10	#10 X 3/4" PFH WOOD SCREW	STEEL
11	4" X 4" BUTT HINGE	STEEL
12	LATCH STRIKE PLATE	STEEL
13	DEADBOLT STRIKE PLATE	STEEL
20	INSWING THRESHOLD (AFCO A-125)	ALUM/WOOD
21	INSWING THRESHOLD (AFCO A-125)	ALUM/COMP
22	INSWING THRESHOLD (AFCO A-276)	ALUM/WOOD
23	INSWING THRESHOLD (AFCO A-280)	ALUM/WOOD
25	#10 X 1" PH SMS	STEEL
33	ALUMINUM ASTRAGAL (AFCO)	ALUM
34	ASTRAGAL STRIKE PLATE	STEEL
40	DOOR PANEL - SEE DOOR PANEL DETAIL SHEET FOR DETAILS	-
50	SIDELITE PANEL - SEE SIDELITE PANEL DETAIL SHEET FOR DETAILS	-

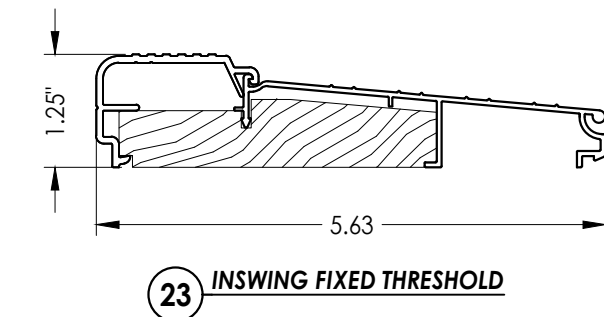
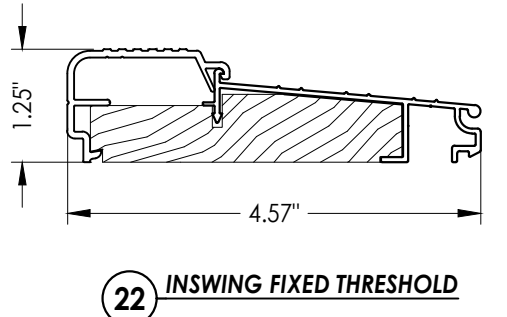
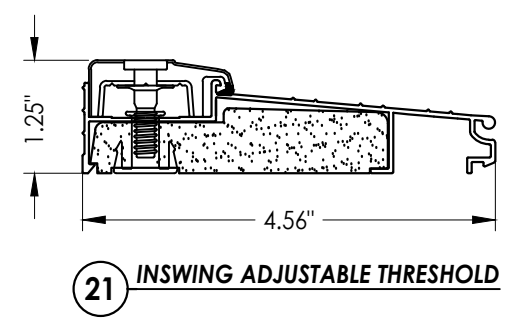
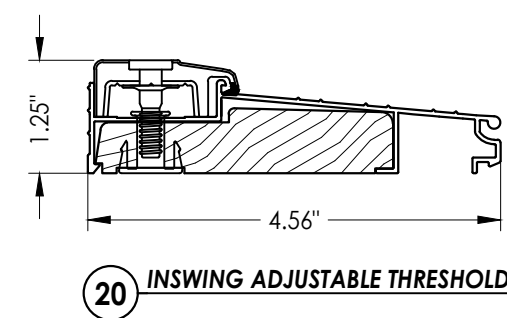
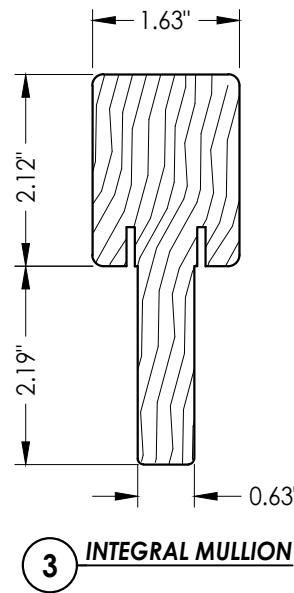
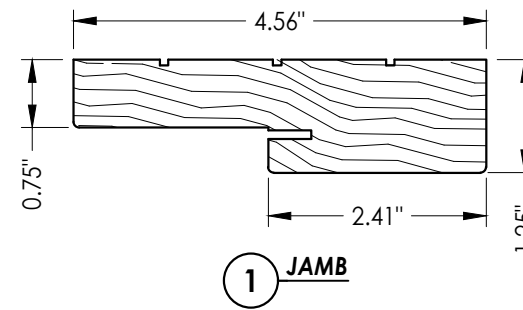
**CONCRETE ANCHOR NOTES:**

- Concrete anchor locations at the corners may be adjusted to maintain the min. edge distance to mortar joints.
- Concrete anchor locations noted as "MAX. ON CENTER" must be adjusted to maintain the min. edge distance to mortar joints, additional concrete anchors may be required to ensure the "MAX. ON CENTER" dimension are not exceeded.
- Concrete anchor table:

ANCHOR TYPE	ANCHOR SIZE	MIN. EMBEDMENT	MIN. CLEARANCE TO MASONRY EDGE	MIN. CLEARANCE TO ADJACENT ANCHOR
ITW BUILDEX TAPCON®	3/16"	1-1/4"	3"	1-1/2"
	1/4"	1-1/4"	2"	4"
DeWALT ULTRACON®	1/4"	1-1/4"	1"	4"

**WOOD SCREW INSTALLATION NOTES:**

- Maintain a minimum 5/8" edge distance, 1" end distance, & 1" o.c. spacing of wood screws to prevent the splitting of wood.



Documents Prepared By:  
Lyndon F. Schmidt  
P.E. No. 43409

PRODUCT:  
DOORSCAPES  
STEEL DOOR

PART OR ASSEMBLY:  
BILL OF MATERIALS  
& COMPONENTS

BUILDING CONSULTANTS, INC.  
P.O. Box 230, Vairico, FL 33595  
Phone No.: 813.659.9197  
FBPE Registry No. 9813



NO.	DATE	REVISIONS
2	8/01/23	UPDATE TO 8TH ED. (2023) FBC
1	8/06/20	UPDATE TO 7TH ED. (2020) FBC

DATE:	1/21/19
SCALE:	N.T.S.
DWG. BY:	MT
CHK. BY:	LFS
DRAWING NO.:	FL-28832.2
SHEET	13 OF 13